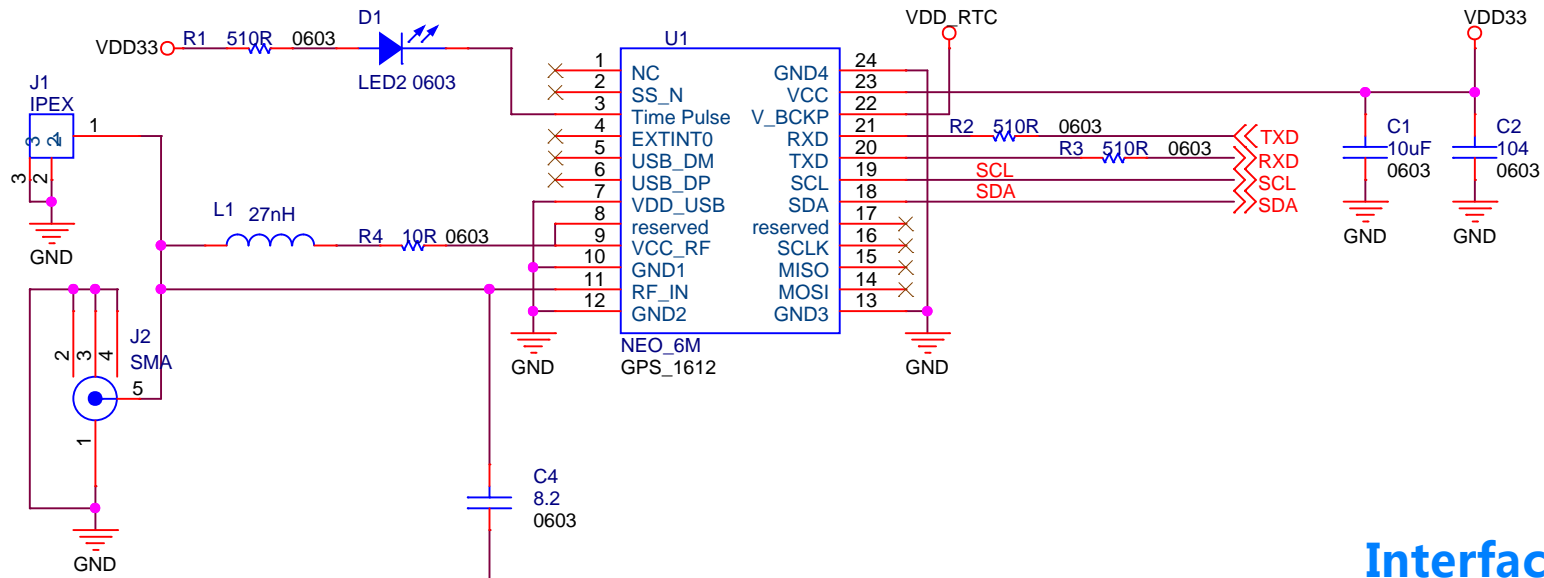
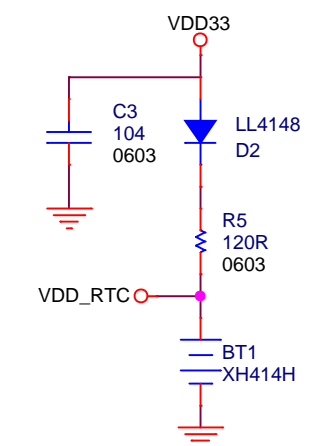


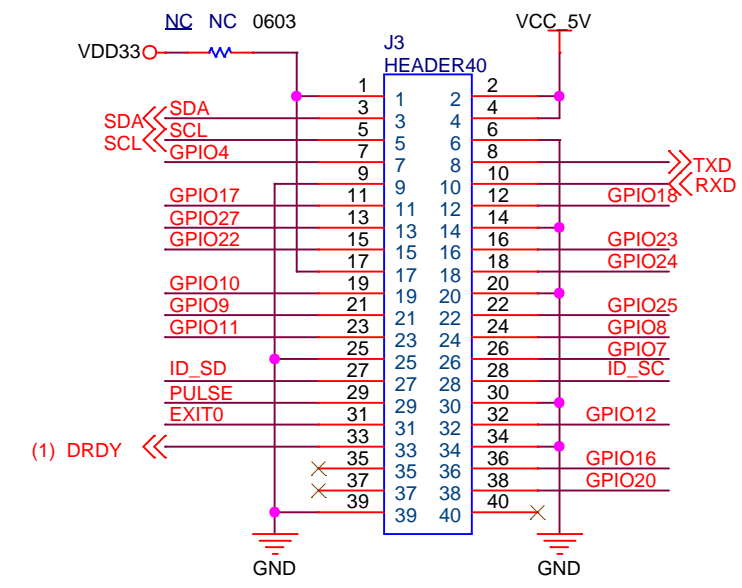
# GPS



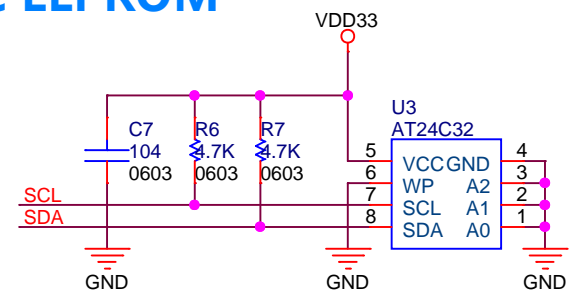
# GPS V\_BCKP



# Interface

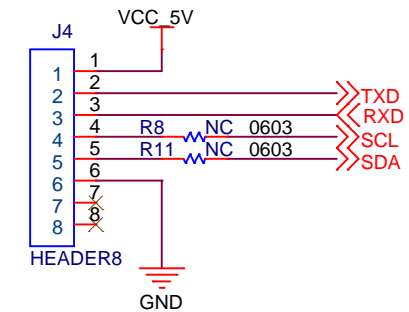


# I2C EEPROM

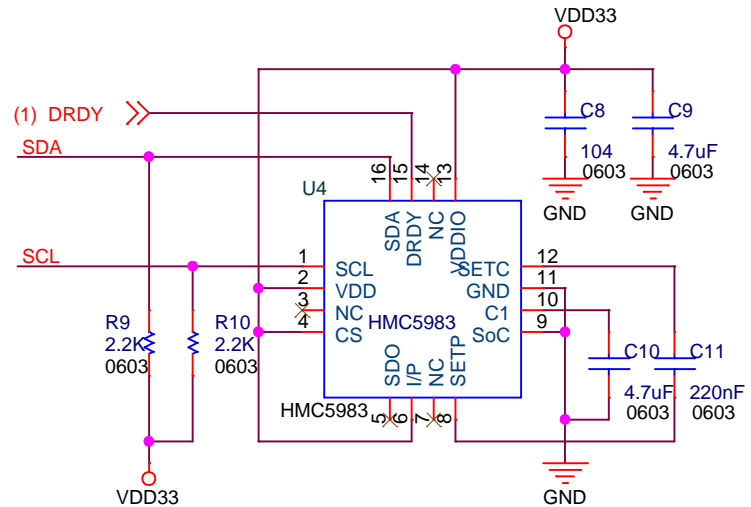


GPS  
2015/09/28

Title <Title>		
Size A	Document Number <Doc>	Rev <RevCode>
Date:	Monday, November 09, 2015	Sheet 1 of 2

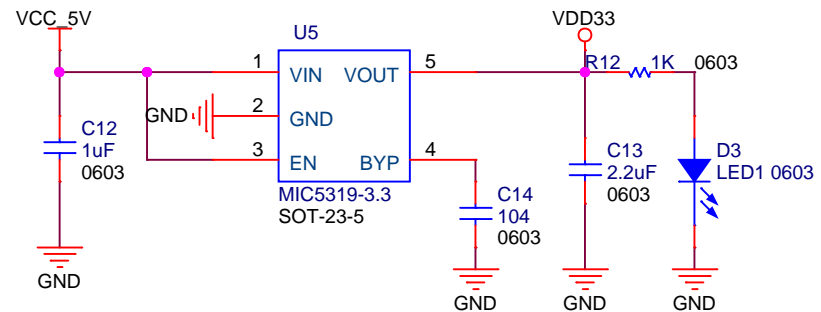


## Interface



## 3-Axis Digital Compass

## Power



3-Axis Digital Compass IC  
2015/09/28

Title <Title>		
Size A	Document Number <Doc>	Rev <RevCode>
Date:	Monday, September 28, 2015	Sheet 2 of 2