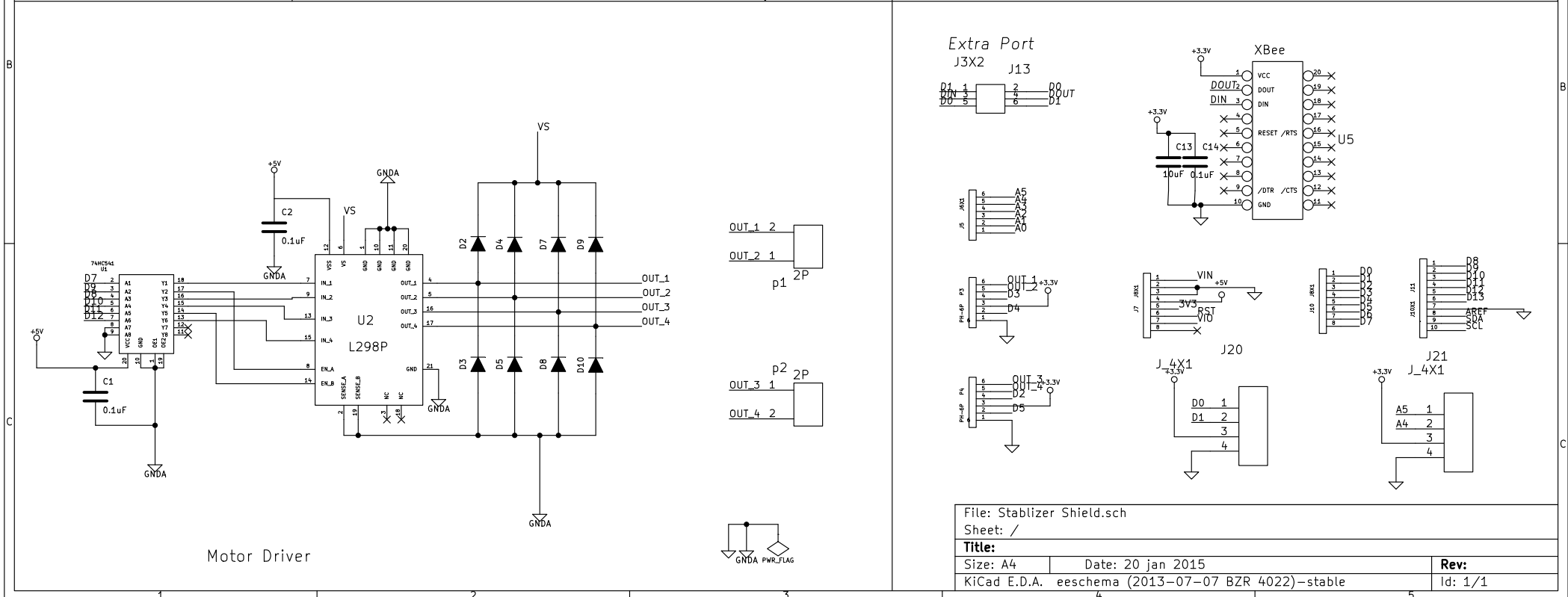


Arduino interface

MPU6050 Module



Motor Driver

Extra Port

File: Stabilizer Shield.sch

Sheet: /

Title:

Size: A4 Date: 20 jan 2015

KiCad E.D.A. eschema (2013-07-07 BZR 4022)-stable

Rev:

Id: 1/1